

9025 Technology Dr. • Fishers, IN 46038-2886  
 800.387.0672 • 317.570.7020 • Fax 317.570.7034  
 info@bangslabs.com • www.bangslabs.com



## B E A D S ● A B O V E T H E R E S T™

### DESCRIPTION

Bangs' Tube Rotator features a removable shaft assembly with polypropylene holders for rotating bottles and tubes. The Tube Rotator will accept:

- 4 standard 35-38mm x 150mm hybridization (e.g. PBT) bottles
- 4 standard 25mm x 125mm tubes or 4 50mL conical tubes

Rotator speed is fixed at 8rpm. Tubes may be added or removed while the rotator is in motion.

### APPLICATIONS

- Rotation of microsphere suspensions to ensure dispersity.
- Gentle mixing of microsphere suspensions during coating (e.g. incubation with antibody)

### ASSEMBLY

1. Engage the rotator shaft to the motor shaft by stretching the frame slightly and gently pushing the rotator shaft onto the motor shaft.
2. Engage the opposite end of the shaft to the supporting pivot screw.

### DISASSEMBLY

1. Loosen the supporting pivot screw.
2. Disengage the rotator shaft from the motor shaft by stretching the frame slightly and gently pulling the rotator shaft away.



**CAUTION:** Whenever the shaft assembly is removed or installed, stretch the frame slightly and pull or push the shaft assembly directly off or onto the motor shaft. Do not bend or twist the motor shaft.

### INSTALLING TUBES AND BOTTLES

When inserting tubes and bottles into the rotator, be sure to distribute weight evenly. The larger spaces accommodate 35 - 38mm bottles; the smaller spaces accommodate 25mm bottles or 50mL conical tubes. Tubes or bottles may be installed while the motor is running. If motion is impeded, the rotator will simply reverse direction. The rotator will not be damaged by holding the shaft and stalling the motor. The total load should not exceed 38 ounces.



**NOTE:** If at any time the shaft assembly fails to rotate continuously, there is some obstruction to its free rotation which can usually be seen immediately. At times it may be necessary to reposition a tube to prevent a tube from touching the bracket during a rotation.

### POWER REQUIREMENTS

120 Volts AC.

The power supply is single phase, 50 or 60 hertz and 3 watts. Units are supplied with a molded, 3 conductor, grounded plug.



**WARNING:** Use a properly grounded outlet of the proper voltage.

### DIMENSIONS

11' L x 5.5" W x 7" H (27.9 x 13.9 x 17.8 cm)

### ENVIRONMENTAL CONDITIONS

Operating: 4° - 65°C; 20% - 80% relative humidity, non-condensing.  
 Installation Category II (over-voltage) in accordance with IEC 664.  
 Pollution Degree 2 in accordance with IEC 664.

Altitude limit: 2,000 meters.

Storage: -25°C - 65°C; 20% - 80% relative humidity.



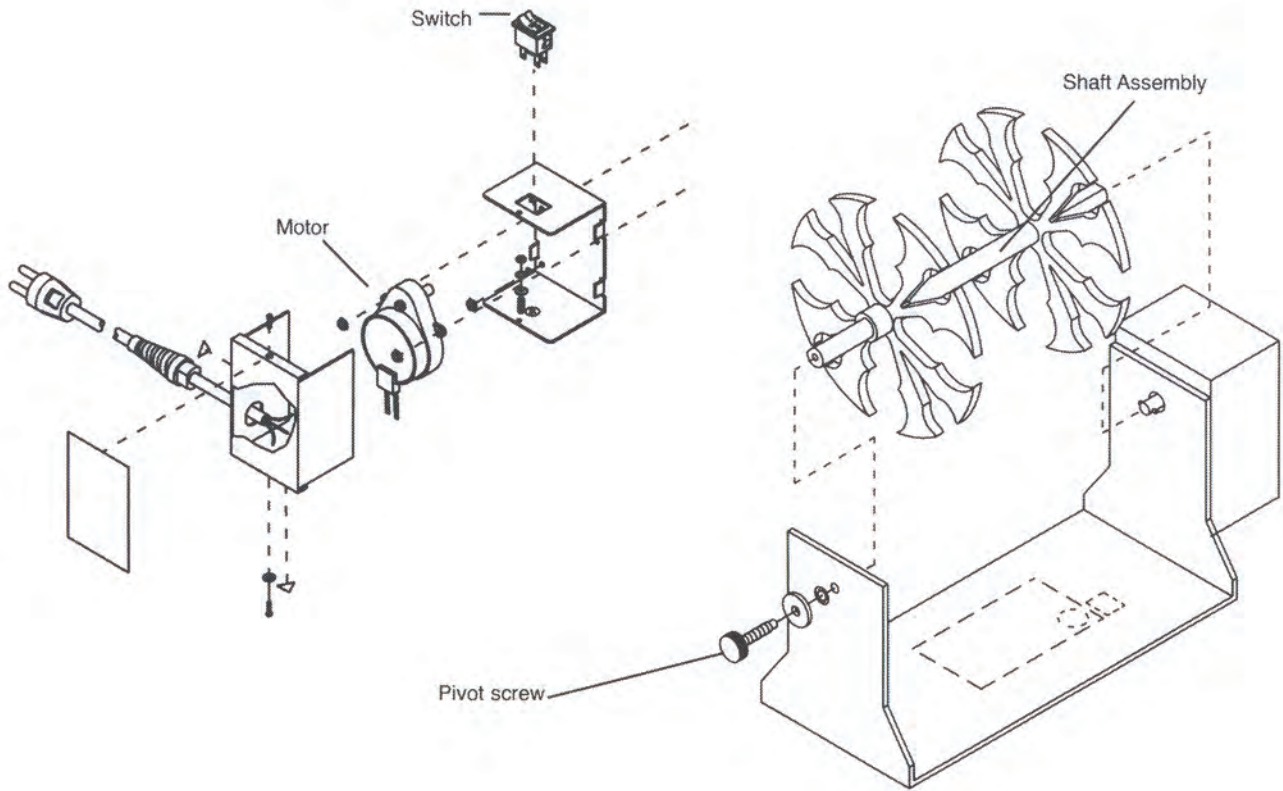
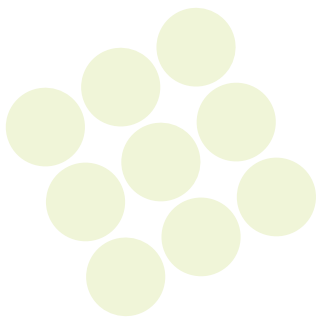
**CAUTION :** Do not operate in temperature environments higher than 65°. Doing so will cause the polypropylene holders to distort.

### CLEANING

Wipe the Tube Rotator with a clean, damp cloth. If necessary, use a mild, non-abrasive cleanser. The unit may be disinfected by wiping with a 1:1 solution of household bleach (5.25% sodium hypochlorite) and water.



**WARNING:** Do not immerse unit for cleaning.



**ORDERING INFORMATION**

Cat. Code	Description	Size
ROTAT	Tube Rotator	1 each

Please refer to the Specification Plate for the complete model number, serial number, and series number in any correspondence regarding this unit.

Order online anytime at [www.bangslabs.com](http://www.bangslabs.com).